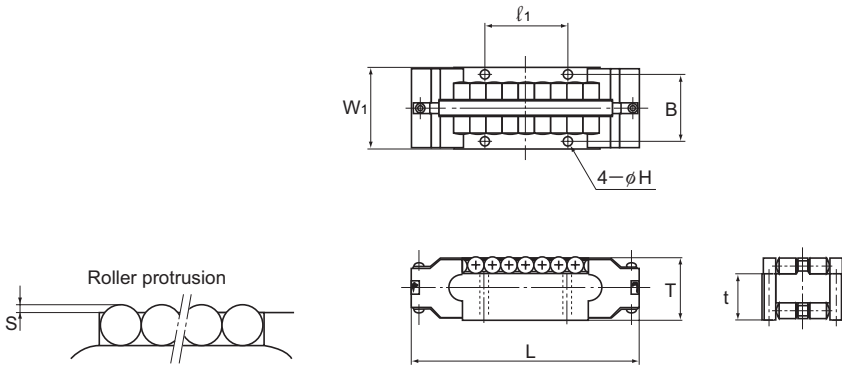
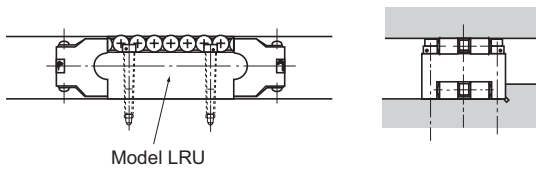


Model LRU



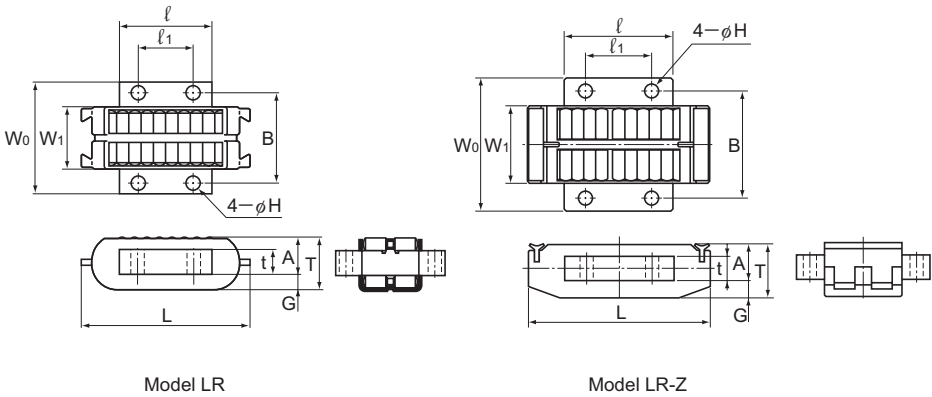
Unit: mm

Model No.	Main dimensions									Mass kg	Basic dynamic load rating C kN	Basic static load rating C ₀ kN	
	Thick- ness T	Width		t	Length			B	H				S
		W ₁	Tolerance		L	l ₁	S						
LRU 22.2	14.283	22.23	⁰ _{-0.050}	10.48	51	19.05	17.07	3	0.253	0.09	11.9	14.5	
LRU 25.4	19.05	25.4	⁰ _{-0.050}	13.97	73	25.4	20.6	3.4	0.2	0.22	28.1	39.8	
LRU 38.1	28.573	38.1	⁰ _{-0.050}	20.953	101.6	38.1	30.96	4.5	0.22	0.7	59.4	88.2	
LRU 50.8	38.098	50.8	⁰ _{-0.075}	27.938	139.7	50.8	41.28	5.6	0.46	1.7	103	159	
LRU 76.2	57.15	76.2	⁰ _{-0.075}	41.15	206.4	76.2	61.9	6.6	0.5	5.7	245	402	



LM Roller

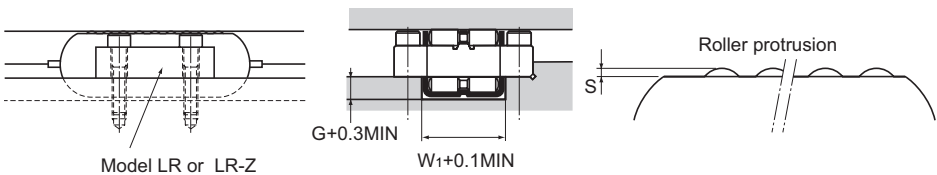
Models LR and LR-Z



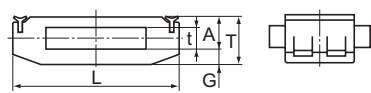
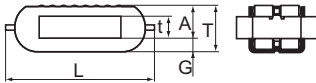
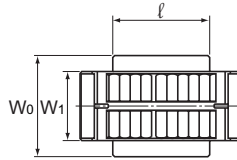
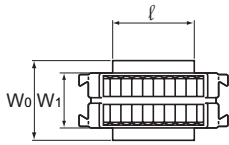
Unit: mm

Model No.	Main dimensions														Mass g	Basic dynamic load rating C kN	Basic static load rating C ₀ kN
	W ₁	Length	Thick- ness	Width				l	Mounting hole pitch			Mounting bolt					
	0 -0.1	L	T	W ₀	A	t	G	0 -0.2	l ₁	B	H	S					
LR 1547Z	15	47	16	30	11	7	5	20	12	23	3.4	0.2	M3*	60	15.2	17.6	
LR 2055Z	20	55	17.3	36	12	8	5.3	30	18	29	4.5	0.2	M4*	110	26	37.8	
LR 2565Z	25	65	20.6	45	14	9	6.6	35	20	36	5.5	0.1	M5*	190	40.4	61.1	
LR 3275Z	32	75	21.6	55	15	10	6.6	45	27	44	5.5	0.1	M5*	320	52.5	91	
LR 4095	40	95	30	68	21	14	9	55	35	54	6.6	0.3	M6	800	84.5	140	
LR 50130	50	130	42	82	30	20	12	78	50	66	9	0.3	M8	1810	149	255	

Note) Using a hexagonal-socket-head type bolt as the mounting bolt marked with * may cause interference.



Models LRA and LRA-Z

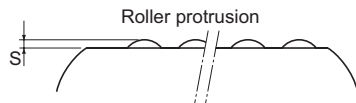
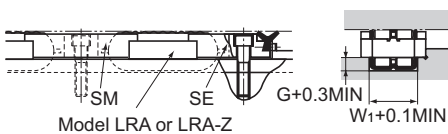
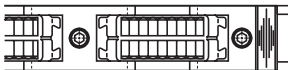


Model LRA

Model LRA-Z

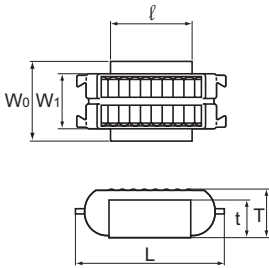
Unit: mm

Model No.	Main dimensions									Mass g	Basic dynamic load rating C kN	Basic static load rating C ₀ kN
	W ₁	Length	Thick- ness	Width	A	t	G	ℓ	S			
	0 -0.1	L	T	W ₀				0 -0.2				
LRA 1547Z	15	47	16	22.2	11	7	5	20	0.2	54	15.2	17.6
LRA 2055Z	20	55	17.3	30	12	8	5.3	30	0.2	104	26	37.8
LRA 2565Z	25	65	20.6	38.1	14	9	6.6	35	0.1	180	40.4	61.1
LRA 3275Z	32	75	21.6	45	15	10	6.6	45	0.1	310	52.5	91
LRA 4095	40	95	30	55	21	14	9	55	0.3	740	84.5	140
LRA 50130	50	130	42	76.2	30	20	12	78	0.3	1770	149	255

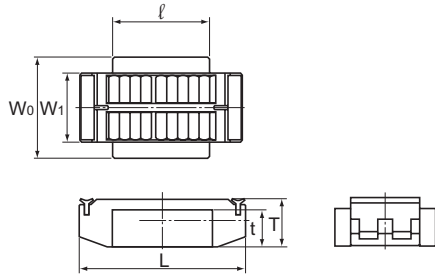


LM Roller

Models LRB and LRB-Z



Model LRB



Model LRB-Z

Unit: mm

Model No.	Main dimensions							Mass g	Basic dynamic load rating C kN	Basic static load rating C ₀ kN
	W ₁ 0 -0.1	Length L	Width W ₀	Thick- ness T	t	ℓ 0 -0.2	S			
LRB 1547Z	15	47	22.2	17	13	20	0.2	60	15.2	17.6
LRB 2055Z	20	55	30	18	14	30	0.2	117	26	37.8
LRB 2565Z	25	65	38.1	21	16	35	0.1	205	40.4	61.1
LRB 3275Z	32	75	45	22	17	45	0.1	340	52.5	91
LRB 4095	40	95	55	31	24	55	0.3	800	84.5	140
LRB 50130	50	130	76.2	43	33	78	0.3	1970	149	255

