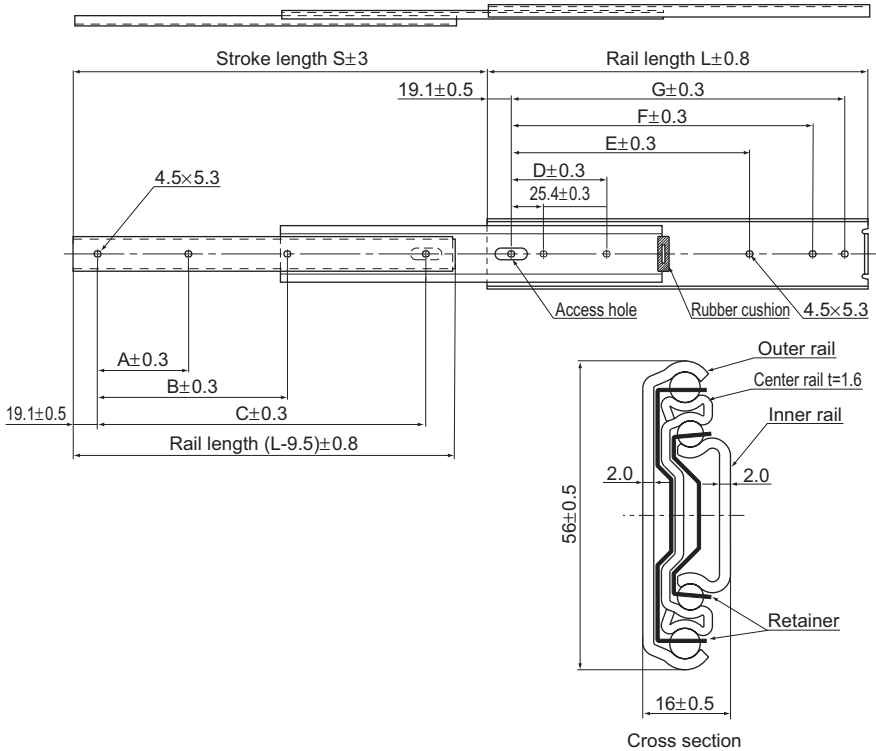


Model FBL 56H



Unit: mm

Rail length L (± 0.8)	Stroke S (± 3)	Mounting hole dimensions							Mounting hole		Permissible load N/pair	Mass kg/pair
		A	B	C	D	E	F	G	Inner rail	Outer rail		
305	330	76.2	177.8	254.0	76.2	190.5	241.3	266.7	4	6	961	1.76
356	381	101.6	203.2	304.8	88.9	215.9	292.1	317.5	4	6	951	2.04
406	432	127.0	228.6	355.6	127.0	241.3	342.9	368.3	4	6	941	2.36
457	483	127.0	279.4	406.4	127.0	292.1	393.7	419.1	4	6	922	2.64
508	533	152.4	304.8	457.2	152.4	317.5	444.5	469.9	4	6	902	2.96
559	584	177.8	330.2	508.0	177.8	342.9	495.3	520.7	4	6	882	3.24
610	635	177.8	381.0	558.8	177.8	393.7	546.1	571.5	4	6	863	3.6
660	686	203.2	406.4	609.6	203.2	419.1	596.9	622.3	4	6	843	3.84
711	737	228.6	431.8	660.4	228.6	444.5	647.7	673.1	4	6	824	4.06
762	787	228.6	457.2	711.2	228.6	469.9	698.5	723.9	4	6	784	4.44

Note) The permissible load and the mass each indicate the value for a pair of 2 units.

Model number coding

FBL56H +406L

Model number Overall rail length (in mm)