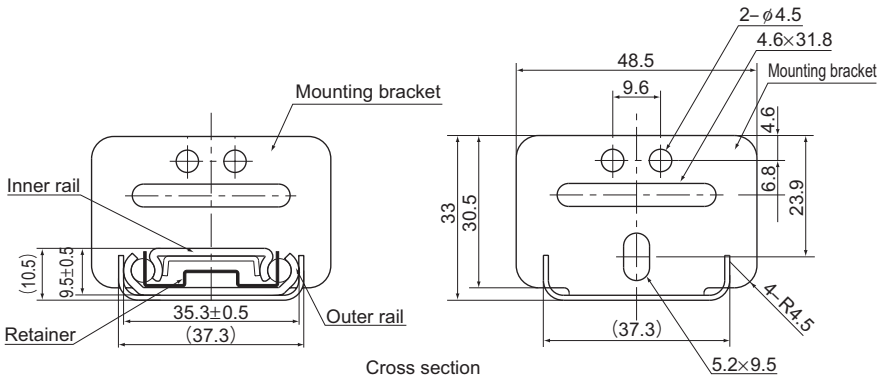
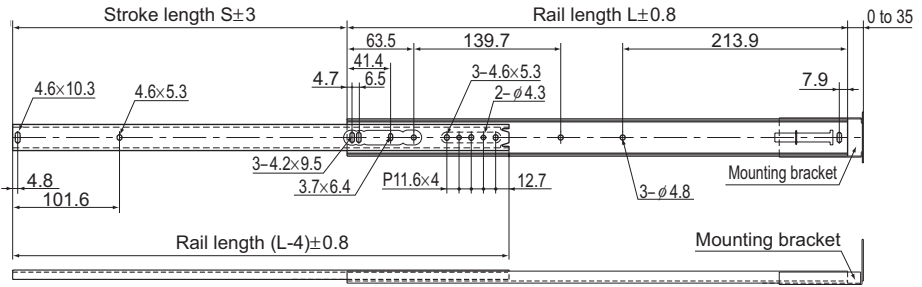


Model FBL 35B



Cross section

Unit: mm

Rail length L (±0.8)	Stroke S (±3)	Mounting hole		Permissible load N/pair	Mass kg/pair
		Inner rail	Outer rail		
324	216	7	7	115	0.8
375	267	7	7	105	0.92
425	305	7	7	100	1
476	318	7	7	90	1.12
527	368	7	7	83	1.24
578	419	7	7	73	1.32
629	445	7	7	66	1.44
679	495	7	7	61	1.6

Note) The permissible load and the mass each indicate the value for a pair of 2 units.

Model number coding

FBL35B +375L

Model number Overall rail length (in mm)