

# HCR

## LM Guide

### B Product Specifications

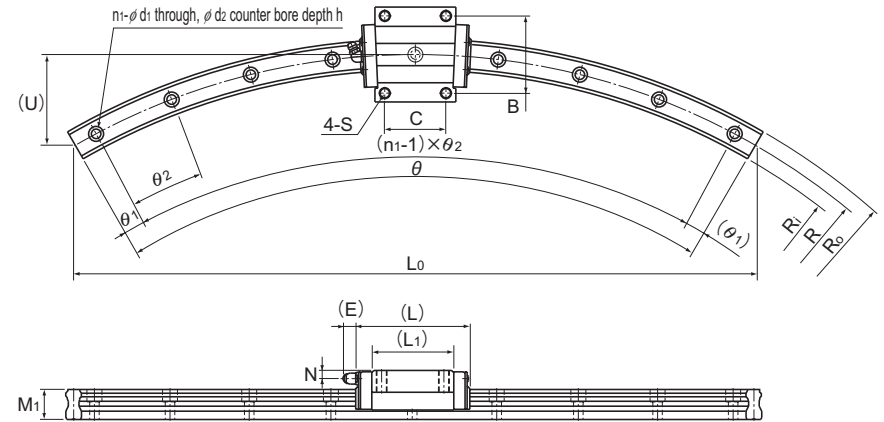
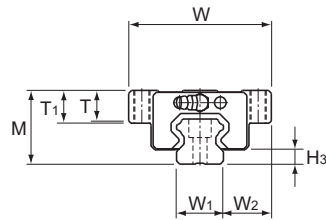
<b>Dimensional Drawing, Dimensional Table</b>	
R Guide Type Model HCR .....	B-168
<b>Options</b> .....	
The LM Block Dimension (Dimension L) with LaCS and Seals Attached .....	B-223
Cap C .....	B-228
Cap C .....	B-250

### A Technical Descriptions of the Products (Separate)

<b>Technical Descriptions</b>	
Structure and features .....	A-259
Types and Features .....	A-260
Rated Loads in All Directions .....	A-260
Equivalent Load .....	A-260
Service Life .....	A-100
Radial Clearance Standard .....	A-115
Accuracy Standards .....	A-121
Shoulder Height of the Mounting Base and the Corner Radius .....	A-328

\* Please see the separate "A Technical Descriptions of the Products".

# R Guide Model HCR



LM Guide

Unit: mm

Model No.	Outer dimensions			LM block dimensions									H <sub>3</sub>	LM rail dimensions											Basic load rating		Static permissible moment kN-m*									
	Height	Width	Length	B	C	S	L <sub>1</sub>	T	T <sub>1</sub>	N	E	Grease nipple		R	R <sub>0</sub>	R <sub>i</sub>	L <sub>0</sub>	U	W <sub>1</sub>	W <sub>2</sub>	M <sub>1</sub>	d <sub>1</sub> ×d <sub>2</sub> ×h	n <sub>1</sub>	θ°	θ <sub>1</sub> °	θ <sub>2</sub> °	C	C <sub>0</sub>	M <sub>A</sub>		M <sub>B</sub>		M <sub>C</sub>			
	M	W	L																										1 block	Double blocks	1 block	Double blocks	1 block			
HCR 12A+60/100R	18	39	44.6	32	18	M4	30.5	4.5	5	3.4	3.5	PB1021B	3.1	100	106	94	100	13.4	12	13.5	11	3.5×6×5	3	60	7	23	4.7	8.53	0.0409	0.228	0.0409	0.228	0.0445			
HCR 15A+60/150R	24	47	56.2	38	28	M5	38.8	10.3	11	4.5	5.5	PB1021B	3.5	150	157.5	142.5	150	20.1	15	16	15	4.5×7.5×5.3	5	60	6	12	8.33	13.5	0.0805	0.457	0.0805	0.457	0.0844			
HCR 15A+60/300R			300											307.5	292.5	300	40	3																9	8.33	13.5
HCR 15A+60/400R			400											407.5	392.5	400	54	7																9	8.33	13.5
HCR 25A+60/500R	36	70	83	57	45	M8	59.5	14.9	16	6	12	B-M6F	5.5	500	511.5	488.5	500	67	23	23.5	22	7×11×9	9	60	2.5	5	4	19.9	34.4	0.307	1.71	0.307	1.71	0.344		
HCR 25A+60/750R			750											761.5	738.5	750	100	12																	15	
HCR 25A+60/1000R			1000											1011.5	988.5	1000	134	15																	15	
HCR 35A+60/600R	48	100	109.2	82	58	M10	80.4	19.9	21	8	12	B-M6F	7.5	600	617	583	600	80	34	33	29	9×14×12	7	60	2.5	5.5	4	37.3	61.1	0.782	3.93	0.782	3.93	0.905		
HCR 35A+60/800R			800											817	783	800	107	11																	12	
HCR 35A+60/1000R			1000											1017	983	1000	134	12																	12	
HCR 35A+60/1300R			1300											1317	1283	1300	174	17																	17	
HCR 45A+60/800R	60	120	138.7	100	70	M12	98	23.9	25	10	16	B-PT1/8	10	800	822.5	777.5	800	107	45	37.5	38	14×20×17	8	60	2	8	60	95.6	1.42	7.92	1.42	7.92	1.83			
HCR 45A+60/1000R			1000											1022.5	977.5	1000	134	10																12		
HCR 45A+60/1200R			1200											1222.5	1177.5	1200	161	12																15		
HCR 45A+60/1600R			1600											1622.5	1577.5	1600	214	15																12		
HCR 65A+60/1000R			90											170	197.8	142	106	M16																147	34.9	37
HCR 65A+60/1500R	1500	1531.5		1468.5	1500	201	10	6																												
HCR 65A+45/2000R	2000	2031.5		1968.5	1531	152	12	45																												
HCR 65A+45/2500R	2500	2531.5		2468.5	1913	190	13	45																												
HCR 65A+30/3000R	3000	3031.5		2968.5	1553	102	10	30																												

### Model number coding

**HCR25A 2 UU +60 / 1000R T**

Model number

Contamination protection accessory symbol (\*1)

R-Guide center angle

LM rail length (in mm)

No. of LM blocks used on the same rail

Symbol for LM rail jointed use

(\*1) See contamination protection accessory on A-368.

Note) LM rail radiuses other than the radiuses in the above table are also available. Contact THK for details.  
 The R-Guide center angles in the table are maximum manufacturing angles. To obtain angles greater than them, rails must be additionally connected. Contact THK for details.  
 Static permissible moment\*: 1 block: static permissible moment value with 1 LM block  
 Double blocks: static permissible moment value with 2 blocks closely contacting with each other