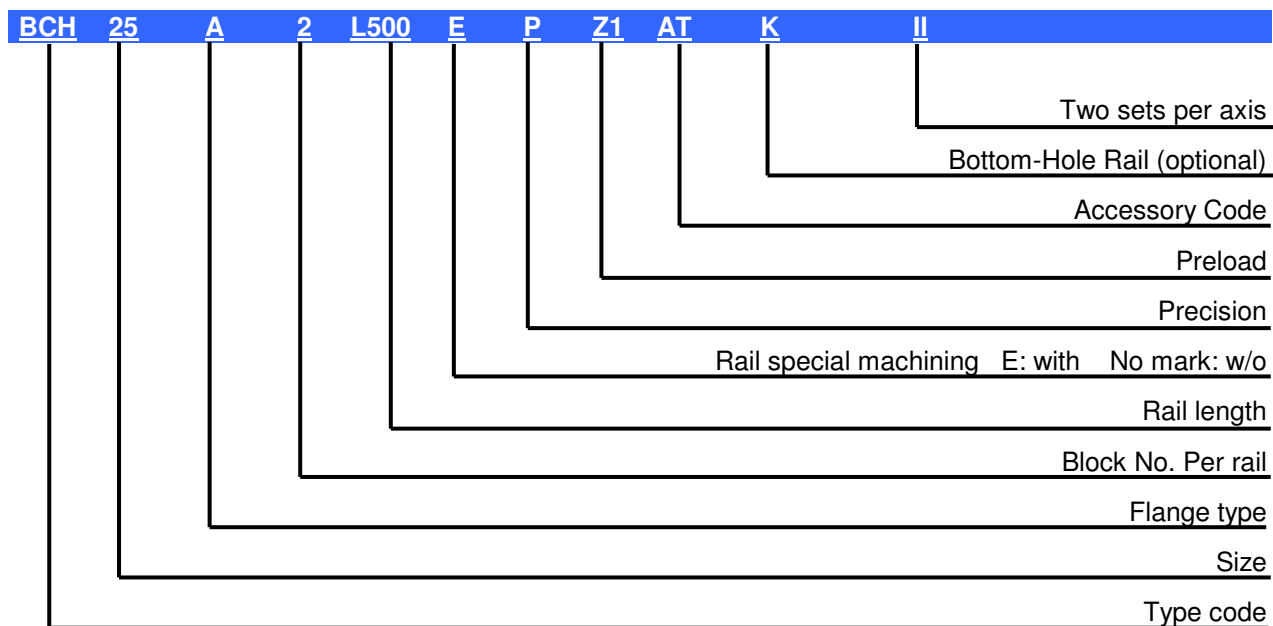


## The Model Number Coding of ABBA (BCH)



Type Code	
BCH:	International Standard with cage
BCS:	Low assembly with cage

Size	
20. 25. 30. 35. 45. 55	

Preload	
ZF:	Clearance
Z0:	No preload
Z1:	Light preload
Z2:	Medium preload
Z3:	Heavy preload

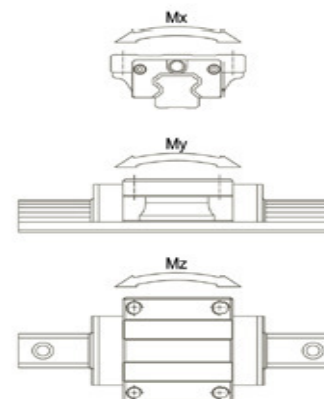
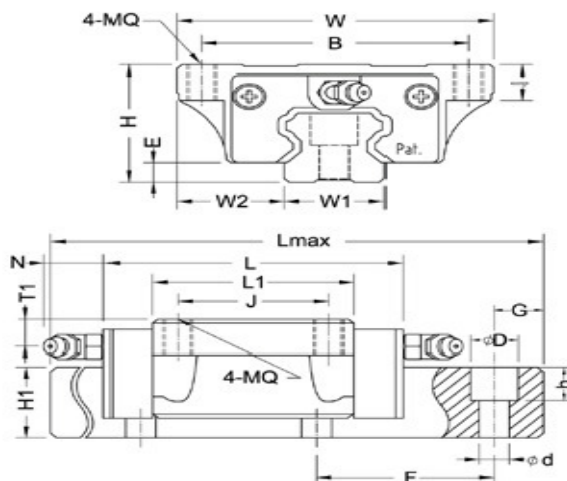
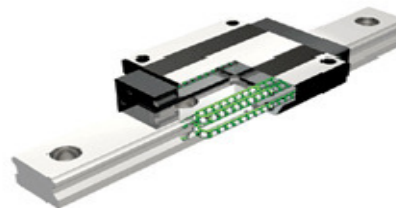
Flange Type	
A:	With flange
B:	Without flange
AL:	Long type with flange
BL:	Long type without flange

Precision	
N:	Normal
H:	High
P:	Precision
SP:	Super-precision
UP:	Ultra-precision

Accessory Code	
A:	With top seal & side seal
B:	With metal scrappers
C:	With top seal, side seal and metal scrappers
T:	With oil tank on one end
U:	With oil tank on both ends

**LINEAR GUIDEWAY**

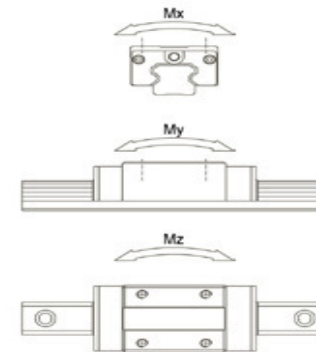
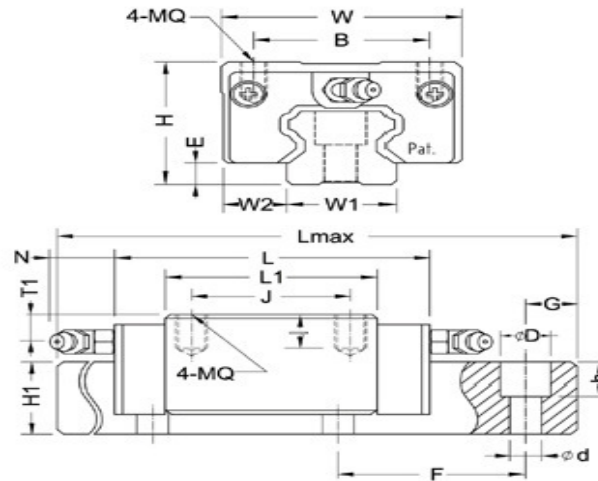
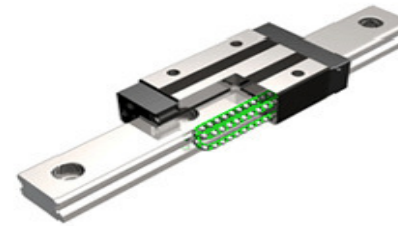
BCH-A & AL



Referência	Dimensões														
	Conjunto				Bloco							Trilho			
	H	W	W2	E	L	BxJ	MQxI	L1	Lub.	T1	N	W1	H1	F	dxDxh
BCH20A	30	63	21,5	6	87	53x40	M6x10	59	M6x1	7,5	12	20	16,5	60	6x9,5x8,5
BCH20AL					106			78							
BCH25A	36	70	23,5	6	102	57x45	M8x12	71	M6x1	10	12	23	20	60	7x11x9
BCH25AL					119			88							
BCH30A	42	90	31	7	116	72x52	M10x15	80	M6x1	12	12	28	23	80	9x14x12
BCH30AL					141			105							
BCH35A	48	100	33	7,5	132	82x62	M10x13	93	M6x1	12	12	34	26	80	9x14x12
BCH35AL					162			123							
BCH45A	60	120	37,5	8,9	150	100x80	M12x17	106	M8x1	16	12	45	32	105	14x20x17
BCH45AL					184			140							
BCH55A	70	140	43,5	12,7	181	116x95	M14x21	131	M8x1	20	17	53	38	120	16x23x20
BCH55AL					223			173							

**LINEAR GUIDEWAY**

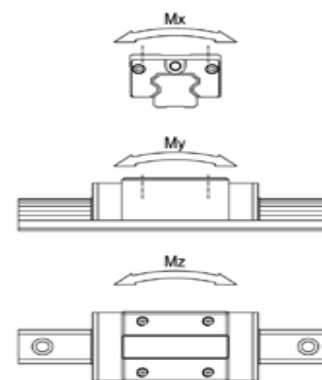
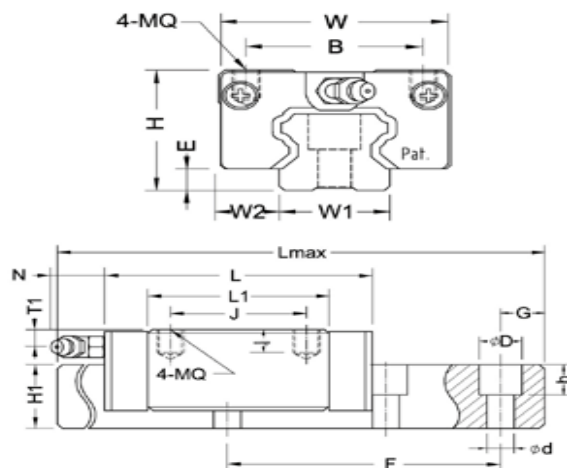
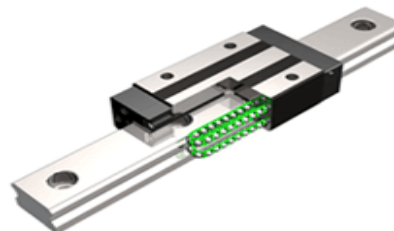
BCH-B & BL



Referência	Dimensões														
	Conjunto				Bloco							Trilho			
	H	W	W2	E	L	BxJ	MQxI	L1	Lub.	T1	N	W1	H1	F	dxDxh
BCH20B	30	44	12	6	106	32x36	M5x8	59	M6x1	7,5	12	20	16,5	60	6x9,5x8,5
BCH20BL					102	32x50		78							
BCH25B	40	48	12,5	6	119	35x35	M6x10	71	M6x1	14	12	23	20	60	7x11x9
BCH25BL					116	35x50		88							
BCH30B	45	60	16	7	141	40x40	M8x12	80	M6x1	15	12	28	23	80	9x14x12
BCH30BL					132	40x60		105							
BCH35B	55	70	18	7,5	162	50x50	M8x14	93	M6x1	19	12	34	26	80	9x14x12
BCH35BL					150	50x72		123							
BCH45B	70	86	20,5	8,69	184	60x60	M10x16	106	M8x1	26	12	45	32	105	14x20x17
BCH45BL					181	60x80		140							
BCH55B	80	100	23,5	12,7	223	75x75	M12x19	131	M8x1	30	17	53	38	120	16x23x20
BCH55BL					223	75x95		173							

**LINEAR GUIDEWAY**

BCS-B & BL



Referência	Dimensões														
	Conjunto				Bloco							Trilho			
	H	W	W2	E	L	BxJ	MQxl	L1	Lub.	T1	N	W1	H1	F	dxDxh
BCS20B	28	42	11	6	87	32x32	M5x55	59	M6x1	5,5	15,6	20	16,5	60	6x9,5x8,5
BCS20BL					106	32x50		78							
BCS25B	33	48	12,5	6	102	35x35	M6x8	71	M6x1	7	15,6	23	20	60	7x11x9
BCS25BL					119	35x50		88							
BCS30B	42	60	16	7	116	40x40	M8x10	80	M6x1	12	15,6	28	23	80	9x14x12
BCS30BL					141	40x60		105							
BCS35B	48	70	18	7,5	132	50x50	M8x12	93	M6x1	12	15,6	34	26	80	9x14x12
BCS35BL					162	50x72		123							
BCS45B	60	86	20,5	8,9	150	60x60	M10x14	106	M8x1	16	16	45	32	105	14x20x17
BCS45BL					184	60x80		140							
BCS55B	68	100	23,5	12,7	181	75x75	M12x15	131	M8x1	18	16	53	38	120	16x23x20
BCS55BL					223	75x95		173							